

# Humidity & Temperature Transmitter

for HVAC Applications



Pool



Lobby



THPL-20 or THPL-30

## ACCURATE AND RELIABLE MEASUREMENT

The THPL-?0 transmitters are designed for use in close control air conditioning applications where accurate and stable measurement and temperature and control of relative humidity and temperature is required. They are the ideal choice for demanding energy management applications.

## SPECIAL FEATURES

- THPL-?0 : True two-wire transmitter
- with 4~20mA loop powered output
- Full 0~100%RH measurement
- Excellent long-term stability
- Up to  $\pm 2\%$  RH accuracy

## APPLICATIONS

- Test room & clean rooms
- Semi-conductor industry
- Air-conditioning engineering
- Food processing industry
- Museum showcase, fine art gallery
- Ever space storage vault system
- Building construction
- Green houses.
- Printing, paper mill
- Film production
- Warehousing, Laboratories

The capacitive humidity sensor has excellent accuracy and long-term stability as well as negligible hysteresis, and high resistance against chemical pollutants. It is also insensitive to dust and most chemicals

WWW.TSTEC.KR

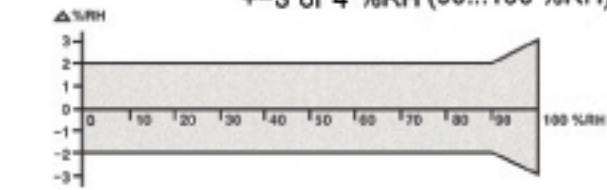


The interaction between people and the environment

## TECHNICAL DATA - THPL 20 - THPL 30

### RELATIVE HUMIDITY

Measuring range 0...100 %RH  
Accuracy(at +20°C)  $\pm 2$  or 3 %RH(0...90 %RH)  
 $\pm 3$  or 4 %RH(90...100 %RH)

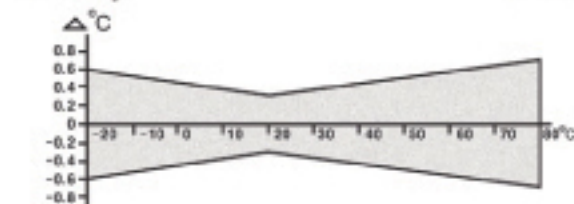


Humidity sensor

Capacitive sensor

### TEMPERATURE

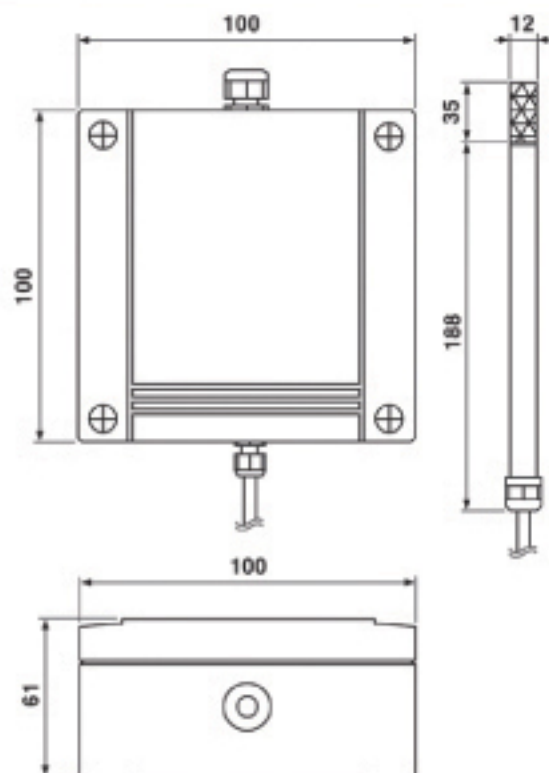
Measuring Range  
Wall Type -5~+55°C  
Duct. Probe Type -20~+80°C  
Accuracy  $\pm 0.3$ °C



Temperature Sensor

PT1000 B CLASS  
PT1000 A CLASS

### DIMENSIONS



### GENERAL -

Supply Voltage DC15~38V  
Output Signal 4~20mA  
Housing ABS Plastic (Room Type)  
Aluminum, IP65(Duct. Probe Type)

### ORDERING CODE

THPL-20? → L: Cable lead wire type (1.5m)

THPL-30? D: LED Display

T: Temperature Transmitter

4~20mA

R: RTD PT100 Ω

TPL-? → R: (RTD, PT 100 Ω, 3-wire)

T: (4~20mA, Transmitter)

- MODEL 선정 -

THPL-20 : 습도(2%) 4~20mA

THPL-20T : 습도(2%) 4~20mA , 온도 4~20mA

THPL-20R : 습도(2%) 4~20mA , 온도 (저항출력)

THPL-30 : 습도(3%) 4~20mA

THPL-30T : 습도(3%) 4~20mA , 온도 4~20mA

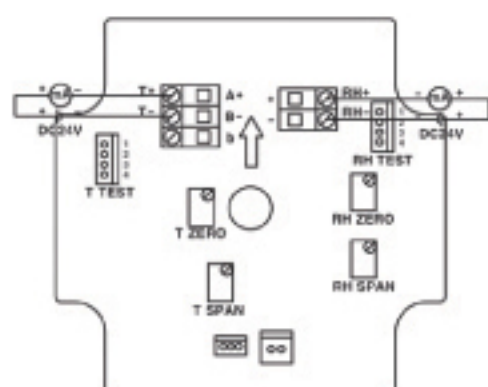
THPL-30R : 습도(3%) 4~20mA , 온도 (저항출력)

TPL-T : 온도 4~20mA

TPL-R : 온도 (저항출력)



### Wiring



Dimensions in mm



주소 : 경기도 부천시 원미구 도당동 95-2 와이제니스파크 702호  
TEL : 032) 683-8411 (대표) , 02) 2109-8411 FAX : 032) 683-8412  
E-MAIL : tstec@tstec.kr www.tstec.kr www.temperature.co.kr